

## Type 2032

Pneumatically operated diaphragm valve with CLASSIC actuator



### T-diaphragm valve with pneumatic plastic actuator (Type CLASSIC)

- Valve body and diaphragm are available in various materials and variants
- Product wetted surfaces in  $Ra \leq 0.38 \mu\text{m} \dots 1.6 \mu\text{m}$  (optionally electropolished)
- Available in all common connection sizes and variants



Product variants described in the data sheet may differ from the product presentation and description.

#### Can be combined with

	<b>Type 2034</b> ▶ Multifunction block and weld solution
	<b>Type 3233</b> ▶ 2/2-way diaphragm valve with manually operated actuator
	<b>Type 8690</b> ▶ Pneumatic control for decentralised automation of ELEMENT process valves
	<b>Type 8697</b> ▶ Pneumatic control for decentralised automation of ELEMENT process valves

#### Type description

The externally controlled diaphragm valve Type 2032 consists of a pneumatically operated piston actuator, a diaphragm and a T-valve body. The proven and robust actuator with a plastic housing ensures use in hygienic or aggressive ambient conditions. The flow-efficient valve bodies with little dead space enable high flow rates and a wide range of possible uses. The valve body and the diaphragm are available in all common materials and variants. The actuator has a compact, autoclavable design (PPS variant). The integration of the automation units 8690/8697 is possible in all configuration levels (can be retrofitted). An explosion-proof ATEX / IECEx device variant is available.

The add-on body is optionally available in plastic or stainless steel. The actuator is equipped with an integrated, optical position indicator as standard, optionally a min./max. stroke limiter can be installed.

## Table of contents

<b>1. General technical data</b>	<b>3</b>
<b>2. Approvals</b>	<b>4</b>
<b>3. Materials</b>	<b>4</b>
3.1. Chemical Resistance Chart – Bürkert resistApp.....	4
3.2. Material specifications .....	5
3.3. Example of available membrane materials .....	6
<b>4. Dimensions</b>	<b>6</b>
4.1. Actuator .....	6
CLASSIC actuator with interface for block mounting (MT85).....	6
CLASSIC actuator with control unit Type 8697 .....	7
4.2. T-Body with welded connection .....	8
4.3. T-Body with clamp connection .....	12
<b>5. Performance specifications</b>	<b>13</b>
5.1. Medium pressure .....	13
<b>6. Product accessories</b>	<b>14</b>
<b>7. Networking and combination with other Bürkert products</b>	<b>14</b>
<b>8. Ordering information</b>	<b>15</b>
8.1. Bürkert eShop – Easy ordering and quick delivery.....	15
8.2. Bürkert product filter .....	15
8.3. Bürkert Product Enquiry Form .....	15

## 1. General technical data

Product properties	
Dimensions	Detailed information can be found in chapter <b>"4. Dimensions"</b> on page 6.
<b>Material</b>	
Block body (VH) <sup>1.)</sup>	Stainless steel 1.4435/316 L
Block body (VI) <sup>1.)</sup>	Stainless steel 1.4435/BN2/ASME BPE; Fe <0.5 %/C ≤0.03 %
Diaphragm	EPDM (AD) <sup>1.)</sup> , PTFE/EPDM (EA) <sup>1.)</sup> , advanced PTFE/EPDM (EU) <sup>1.)</sup> , Gylon®/EPDM laminated (ER) <sup>1.)</sup>
Actuator	PPS, PA
Diaphragm size	8...100
<b>Standard surface quality</b>	
Block body (VH/VI) <sup>1.)</sup>	Internal electrically polished : Ra ≤0.38 µm (NO17) <sup>1.)</sup> (ASME BPE SF4/DIN HE4) (external Ra ≤1.6 µm) Internal mechanically polished : Ra ≤0.5 µm (NO14) <sup>1.)</sup> (ASME BPE SF1) (external Ra ≤1.6 µm)
<b>Performance data</b>	
Pilot pressure (max.)	7 bar (for actuator size 40 <sup>1.)</sup> ...125 <sup>1.)</sup> /PPS) 6 bar (for actuator size 175 <sup>1.)</sup> and 225 <sup>1.)</sup> /PA) See <b>"5.1. Medium pressure"</b> on page 13
Pilot air port	Thread G ¼; thread G ⅜ for actuator size 40 and 50
<b>Medium data</b>	
Process medium	Neutral gases and fluids, highly purified, sterile, aggressive or abrasive medium (see <b>resistance chart</b> ▶)
<b>Medium temperature</b>	
EPDM (AD) <sup>1.)</sup>	-10...+143 °C (steam sterilisation + 150 °C for 60 min)
PTFE/EPDM (EA) <sup>1.)</sup>	-10...+130 °C (steam sterilisation + 140 °C for 60 min)
Advanced PTFE/EPDM (EU) <sup>1.)</sup>	-5...+143 °C (steam sterilisation + 150 °C for 60 min)
GYLON®/EPDM laminated (ER) <sup>1.)</sup>	-5...+130 °C (steam sterilisation + 140 °C for 60 min)
Control medium	Neutral gases, air
<b>Process/Port connection &amp; communication</b>	
Nominal diameter	DN 06...DN 100 (¼" ... 4")
<b>Port connection<sup>2.)</sup></b>	
<b>For stainless steel body<sup>2.)</sup></b>	
Welded connection <sup>2.)</sup>	DIN EN ISO 1127/ISO 4200/DIN 11866 series B DIN 11850 series 2/DIN 11866 series A/DIN EN 10357 series A ASME BPE/DIN 11866 series C
Clamp connection <sup>2.)</sup>	DIN 32676 series A (DIN pipe) DIN 32676 series B (ISO pipe) ASME BPE
<b>Environment and installation</b>	
Installation position	See <b>operating manual</b> ▶
<b>Ambient temperature</b>	
PPS Actuator size ≤ 80 mm	+5...140 °C
PPS Actuator size 100 mm, 125 mm	+5...90 °C (briefly at +140 °C)
PA Actuator size ≤ 125 mm	-10...+60 °C
PA Actuator size ≥ 175 mm	-10...+50 °C

1.) This information is part of the product key (see )

2.) Further versions on request

## 2. Approvals

### Note:

If you need one of these certificates, please contact your Bürkert partner.

Approvals/ Conformity/ Certificate <sup>1.)</sup>	Description
	<b>ATEX/IECEX</b> <sup>2.)</sup> EPS 18 ATEX 2 008 X II 2G Ex h IIC T4 Gb/II 2D Ex h IIIC T135 °C Db IECEX EPS 18.0007X Ex h IIC T4 Gb/Ex h IIIC T135 °C Db
<b>TA air</b>	TA air <sup>3.)</sup>
	3-A (3-A Sanitary Standards Symbol Administrative Council) <sup>4.)</sup>
	The diaphragms made of EPDM (AD), PTFE/EPDM (EA), advanced PTFE/EPDM (EU) and GYLON®/EPDM laminated (ER) are suitable for use with food and beverages (acc. to EC Regulation 1935/2004/EC).
	Diaphragms made of EPDM (AD), PTFE/EPDM (EA), advanced PTFE/EPDM (EU) and GYLON®/EPDM laminated (ER) are acc. to USP Class VI tested.
<b>FDA</b>	Diaphragms made of EPDM (AD), PTFE/EPDM (EA), advanced PTFE/EPDM (EU) and GYLON®/EPDM laminated (ER) comply with the Code of Federal Regulations published by the FDA (Food and Drug Administration, USA).

1.) Further approvals/conformity clarification/certificates on request

2.) Only in combination with variable code "PX51" (see "8.3. Bürkert Product Enquiry Form" on page 15)

3.) Only in combination with variable code "PM01" (see "8.3. Bürkert Product Enquiry Form" on page 15)

4.) Only in combination with variable code "PE05" (see "8.3. Bürkert Product Enquiry Form" on page 15)

## 3. Materials

### 3.1. Chemical Resistance Chart – Bürkert resistApp



#### Bürkert resistApp – Chemical Resistance Chart

You want to ensure the reliability and durability of the materials in your individual application case? Verify your combination of media and materials on our website or in our resistApp.

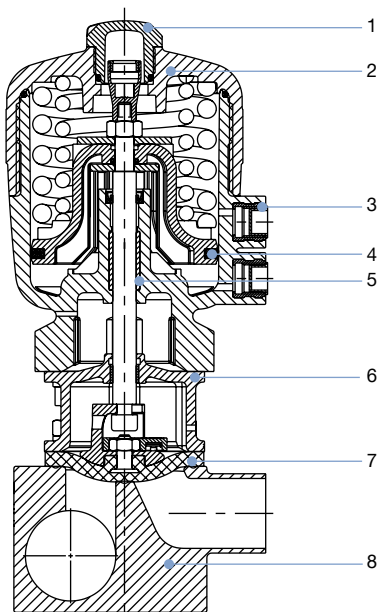
[Start Chemical Resistance Check](#)

### 3.2. Material specifications

Actuator size 40...125

Note:

Exemplary representation may differ from the actual product.

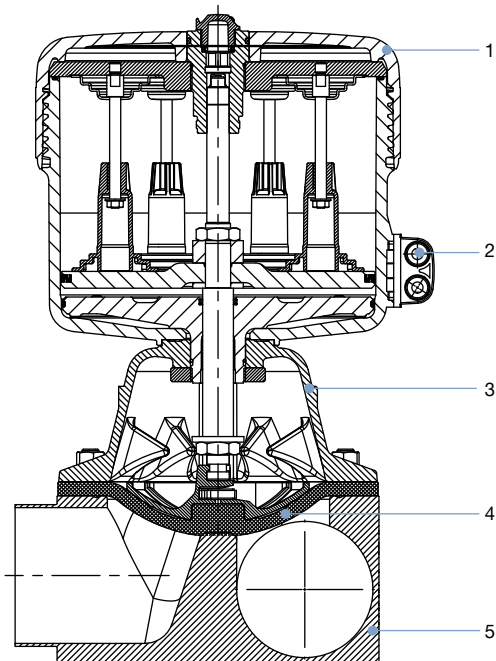


No.	Element	Material
1	Transparent cap	Polysulfone PSU
2	Cover	Polyphenylene sulphide PPS (Standard) Polyamide PA (on request)
3	Pilot air ports	Stainless steel 1.4305
4	Piston seal	FKM
5	Socket	Sinter metal
6	Interface	Stainless steel 1.4404
7	Diaphragm	EPDM (AD), PTFE/EPDM (EA), advanced PTFE/EPDM (EU), Gylon®/EPDM laminated (ER)
8	Valve body	See "1. General technical data" on page 3

Actuator size 175 and 225

Note:

Exemplary representation may differ from the actual product.



No.	Element	Material
1	Cover	Polyamide PA
2	Pilot air ports	Stainless steel 1.4305
3	Attachment housing	Stainless steel 1.4308
4	Diaphragm	EPDM (AD), PTFE/EPDM (EA), advanced PTFE/EPDM (EU), Gylon®/EPDM laminated (ER)
5	Valve body	See "1. General technical data" on page 3

DTS 1000450589 EN Version: E Status: RL (released | freigegeben | valide) printed: 13.09.2023

### 3.3. Example of available membrane materials

The diaphragms have been developed to meet the unique challenges of hygienic and sterile requirements. Bürkert offers diaphragms with precise material composition and high accuracy. Bürkert diaphragms are available in a wide range of materials which have been tested and proven in applications in the food and beverage, biotechnology, pharmaceutical and cosmetics industries. The diaphragms are tested during development and production to ensure reliability under difficult process conditions.



- EPDM (AD)
- PTFE/EPDM (EA)
- advanced PTFE/EPDM (EU)
- Gylon®/EPDM laminated (ER)

For further information please refer to our flyer “Diaphragm competence for hygienic applications” on our [website](#) ▶.

## 4. Dimensions

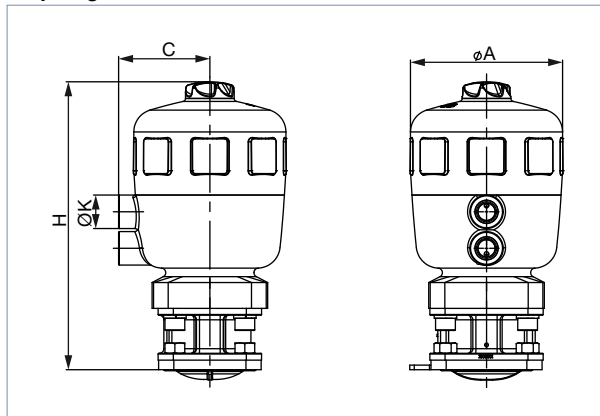
### 4.1. Actuator

**CLASSIC actuator with interface for block mounting (MT85)**

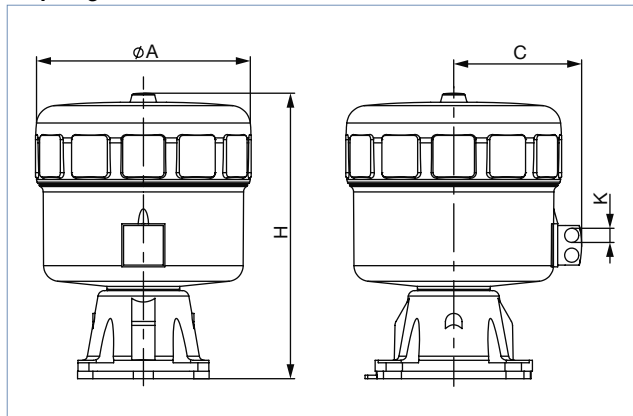
**Note:**

Dimensions in mm, unless otherwise stated

**Diaphragm size 8...50**



**Diaphragm size 65...100**



Diaphragm size	Actuator size Ø	ØA	C	K	H
8	40(C)	53	34	G 1/8"	111
15	50(D)	64	39	G 1/8"	137
	63(E)	80	52	G 1/4"	154
20	63(E)	80	52	G 1/4"	165
	80(F)	101	52	G 1/4"	186
25	63(E)	80	52	G 1/4"	170
	80(F)	101	60	G 1/4"	190
40	100(G)	127	73	G 1/4"	246
	125(H)	158	86	G 1/4"	284
50	100(G)	127	73	G 1/4"	254
	125(H)	158	86	G 1/4"	288
65	175(K)	211	130	G 1/4"	350
80	175(K)	211	130	G 1/4"	350
	225(L)	261	155	G 1/4"	345
100	225(L)	261	155	G 1/4"	345

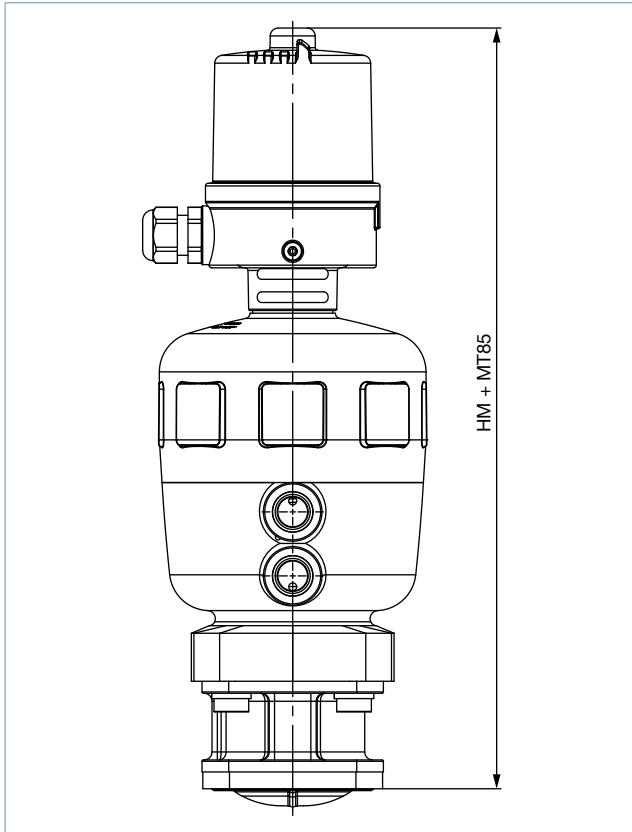
DTS 1000450589 EN Version: RL (released | freigegeben | valide) printed: 13.09.2023

**CLASSIC actuator with control unit Type 8697**

**Note:**

Dimensions in mm, unless otherwise stated

**Control unit MT85**  
**Diaphragm size 8...50**

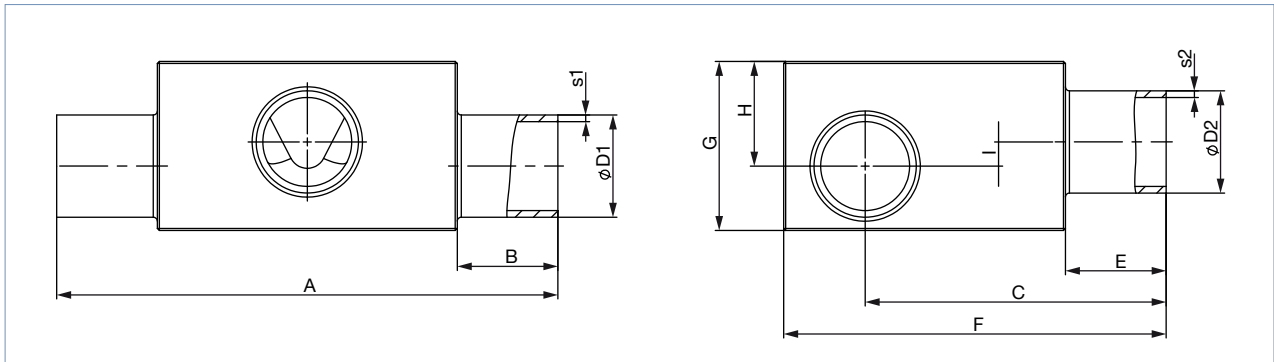


Diaphragm size	Actuator size Ø	HM + MT85
8	40(C)	207
15	50(D)	233
	63(E)	249
20	63(E)	261
	80(F)	281
25	63(E)	266
	80(F)	286
40	100(G)	339
	125(H)	377
50	100(G)	347
	125(H)	381

### 4.2. T-Body with welded connection

**Note:**

Dimensions in mm, unless otherwise stated



Dia- phragm size	Port 1 - Port 2 DN	ØD1	s1	ØD2	s2	A	B	C	E	F	G	H	I	Product key <sup>1)</sup> (Port 1 - Port 2)
<b>DIN EN ISO 1127/ISO 4200/DIN 11866 series B</b>														
8	8...8	13.5	1.6	13.5	1.6	78.0	20	47.2	20	60	24	15	5.0	SA40-SA40
	10...8	17.2		13.5		78.0		49.00		60	29	18	8.0	SA41-SA40
	10...10	17.2		17.2		78.0		49.00		60	29	18	8.0	SA41-SA41
	15...8	21.3		13.5		78.0		51.1		64	34	21	11.0	SA42-SA40
	15...10	21.3		17.2		78.0		51.1		64	34	21	11.0	SA42-SA41
	20...8	26.9		13.5		88.0		25		53.9	70	38	23	13.0
	20...10	26.9	17.2	88.0	53.9	70	38		23	13.0	SA43-SA41			
	25...8	33.7	2.0	13.5	88.0	53.9	76	45	26	16.0	SA44-SA40			
	25...10	33.7		17.2	88.0	53.9	76	45	26	16.0	SA44-SA41			
	32...8	42.4		13.5	88.0	60.50	84	52	29	19.0	SA45-SA40			
	32...10	42.4		17.2	88.0	61.20	84	52	29	19.0	SA45-SA41			
	40...8	48.3		13.5	88.0	64.2	90	57	31	21.0	SA46-SA40			
	40...10	48.3		17.2	88.0	64.2	90	57	31	20.0	SA46-SA41			
	50...8	60.3		13.5	98.0	30	70.2	102	66	34	24.0	SA47-SA40		
	50...10	60.3		17.2	98.0		70.2	102	66	34	24.0	SA47-SA41		
	65...8	76.1	13.5	98.0	78.1		118	80	40	30.0	SA48-SA40			
	80...8	88.9	2.3	13.5	98.0		84.2	131	92	46	36.0	SA49-SA40		
	80...10	88.9		17.2	98.0	84.2	131	92	46	35.0	SA49-SA41			

DTS 1000450589 EN Version: RL (released | freigegeben | valide) printed: 13.09.2023



Dia-phragm size	Port 1 - Port 2 DN	ØD1	s1	ØD2	s2	A	B	C	E	F	G	H	I	Product key <sup>1)</sup> (Port 1 - Port 2)						
15	8...8	13.5	1.6	13.5	1.6	93.0	20	52.05	20	70	27	17	4.5	SA40-SA40						
	10...8	17.2		13.5		93.0		53.9		70	31	18	4.5	SA41-SA40						
	10...10	17.2		17.2		93.0		54.9		70	28	16	2.5	SA41-SA41						
	15...8	21.3		13.5		93.0		57		71	34.5	21	7.5	SA42-SA40						
	15...15	21.3		21.3		93.0		56		71	35	21	6.5	SA42-SA42						
	20...8	26.9		13.5		103.0		25		59.8	76	41	25	11.5	SA43-SA40					
	20...10	26.9		17.2		103.0				59.8	78	42	25	11.5	SA43-SA41					
	20...15	26.9		21.3		103.0				59.8	78	42	25	11.5	SA43-SA42					
	25...10	33.7		2.0		17.2				103.0	63	83	48	28	14.5	SA44-SA41				
	25...15	33.7				21.3				103.0	62.8	83	47	28	14.5	SA44-SA42				
	32...8	42.4	13.5		103.0	67.1	91		56	32	18.5	SA45-SA40								
	32...10	42.4	17.2		103.0	67.1	91		56	32	18.5	SA45-SA41								
	32...15	42.4	21.3		103.0	67.1	91		56	32	18.5	SA45-SA42								
	40...8	48.3	13.5		103.0	70.1	97		63	35	21.5	SA46-SA40								
	40...10	48.3	17.2		103.0	70.1	97		63	35	21.5	SA46-SA41								
	40...15	48.3	21.3		103.0	70.1	97	63	35	21.5	SA46-SA42									
	50...8	60.3	13.5		113.0	30	76.1	109	72	38	24.5	SA47-SA40								
	50...10	60.3	17.2		113.0		76.1	109	72	38	24.5	SA47-SA41								
	50...15	60.3	21.3	113.0	76.1		109	72	38	24.5	SA47-SA42									
	65...8	76.1	13.5	113.0	84		125	85	44	30.5	SA48-SA40									
	65...15	76.1	21.3	113.0	84		125	85	44	30.5	SA48-SA42									
80...8	88.9	2.3	13.5	113.0	90.1		140	99	52	38.5	SA49-SA40									
80...10	88.9		17.2	113.0	90.1		137	94	47	33.5	SA49-SA41									
80...15	88.9		21.3	113.0	90.1		137	94	47	33.5	SA49-SA42									
100...15	114.3		21.3	113.0	102.8		163	120	60	46.5	SA39-SA42									
20	20...20		26.9	1.6	26.9		1.6	114.0	25	70.3	25	87	40	24	6.0	SA43-SA43				
	25...20		33.7		2.0	26.9		114.0		73.3		94	48	28	10.0	SA44-SA43				
	32...20	42.4	26.9		114.0	78.6		102		57		33	15.0	SA45-SA43						
	40...20	48.3	26.9		114.0	80.6		108		63		35	17.0	SA46-SA43						
	50...20	60.3	26.9		124.0	30		87		120.8		72	39	21.0	SA47-SA43					
	65...20	76.1	26.9	124.0	94.5		136	86	45	27.0	SA48-SA43									
	80...20	88.9	2.3	26.9	124.0		100.6	148	94	47	29.0	SA49-SA43								
	100...20	114.3	26.9	124.0	113.3		173	120	60	42.0	SA39-SA43									
	25	25...25	33.7	2.0	33.7	2.0	124.5	25	78.6	25	98	53	33	13.0	SA44-SA44					
32...25		42.4	33.7		124.5		82.9		107		62	38	18.0	SA45-SA44						
40...25		48.3	33.7		124.5		85.9		114		69	41	21.0	SA46-SA44						
50...25		60.3	33.7		134.5		30		81.9		125	78	45	25.0	SA47-SA44					
65...25		76.1	33.7		134.5				99.8		142	94	52	32.0	SA48-SA44					
80...25		88.9	2.3		33.7				134.5		105.9	153	101	54	34.0	SA49-SA44				
150...25		168.3	2.6		33.7				134.5		145.3	232	174	87	67.0	SA69-SA44				
40	32...32	42.4	2.0	42.4	2.0	152.0	25	98.00	25	122	62	38	9.4	SA45-SA45						
	40...32	48.3		42.4		152.0		100		128	68	41	12.4	SA46-SA45						
	40...40	48.3		48.3		152.0		100		128	68	41	12.4	SA46-SA46						
	50...32	60.3		42.4		162.0		30		106	140	82	48	19.4	SA47-SA45					
	50...40	60.3		48.3		162.0				106	140	82	48	19.4	SA47-SA46					
	65...40	76.1		48.3		162.0				113.9	155	97	55	26.4	SA48-SA46					
	80...32	88.9		2.3		42.4				162.0	120	168	108	60	31.4	SA49-SA45				
	80...40	88.9				48.3				162.0	120	168	108	60	31.4	SA49-SA46				
	100...32	114.3				42.4				162.0	132.7	193	129	68	39.4	SA39-SA45				
	100...40	114.3				48.3		162.0		132.7	193	129	68	39.4	SA39-SA46					
	50	50...50				60.3		2.0		60.3	2.0	188.0	30	120.2	30	154	82	48	12.5	SA47-SA47
		65...50				76.1				60.3		188.0		128.1		170	100	56	20.5	SA48-SA47
80...50		88.9	2.3	60.3	188.0	134.2	183		110	61		25.5		SA49-SA47						
100...50		114.3	60.3	188.0	146.9	208	131		70	34.5		SA39-SA47								
150...50		168.3	2.6	60.3	188.0	173.6	261		176	88		52.5		SA69-SA47						

Dia-phragm size	Port 1 - Port 2 DN	ØD1	s1	ØD2	s2	A	B	C	E	F	G	H	I	Product key <sup>1)</sup> (Port 1 - Port 2)
<b>DIN 11850 series 2/DIN 11866 series A/DIN EN 10357 series A</b>														
8	10...10	13.0	1.5	13.0	1.5	78.0	20	47.0	20	60	24	15	5.0	SD40-SD40
	20...10	23.0		13.0		88.0	25	52.0		66	36	22	12.0	SD43-SD40
15	15...15	19.0	1.5	19.0	1.5	93.0	20	55.9	20	70	33	20	6.5	SD42-SD42
	20...15	23.0		19.0		103.0		57.9		72	37	22.5	9	SD43-SD42
	25...15	29.0		19.0		103.0	25	60.9		78	43	26	12.5	SD44-SD42
	32...15	35.0		19.0		103.0		63.9		84	49	29	15.5	SD45-SD42
	40...15	41.0		19.0		103.0		66.9		91	56	31	17.5	SD46-SD42
	50...15	53.0		19.0		113.0	30	72.9		102	65	36	22.5	SD47-SD42
20	20...20	23.0	1.5	23.0	1.5	114.0	25	68.7	25	85	36	21	-	SD43-SD43
	32...20	35.0		23.0		114.0		74.4		95	50	29	11.0	SD45-SD43
	40...20	41.0		23.0		114.0		77.4		101	56	32	14.0	SD46-SD43
25	25...25	29.0	1.5	29.0	1.5	124.5	25	76.7	25	98	48	30	10.0	SD44-SD44
	40...25	41.0		29.0		124.5		82.7		106	61	38	18.0	SD46-SD44
	50...25	53.0		29.0		134.5	30	88.7		120	73	44	24.0	SD47-SD44
40	32...32	35.0	1.5	35.0	1.5	152.0	25	95	25	119	52	32	9	SD45-SD45
	40...40	41.0		41.0		152.0		97.3		121	62	37	8.4	SD46-SD46
	50...40	53.0		41.0		162.0	30	102.8		133	75	45	16.4	SD47-SD46
50	50...50	53.0	1.5	53.0	1.5	188.0	30	117.0	30	147	74	44	8.5	SD47-SD47
<b>ASME BPE/DIN 11866 series C</b>														
8	20...8	19.05	1.65	6.35	0.89	88.0	25	49.90	20	61	32	20	10.0	SA93-SA90
	25...10	25.40		9.53		88.0	25	53.00		68	38	23	13.0	SODF-SA91
	40...8	38.10		6.35		88.0	25	59.40		80	49	28	18.0	SODH-SA90
	50...8	50.80		6.35		98.0	30	65.80		93	59	32	22.0	SODI-SA90
	65...8	63.50		6.35		98.0		72.10		106	70	36	26.0	SODJ-SA90
15	15...15	12.70	1.65	12.70	1.65	93.0	20	53.20	20	70	27	13.5	-	SA92-SA92
	20...15	19.05		12.70		103.0		55.80		70	31	18.5	5.0	SA93-SA92
	25...15	25.40		12.70		103.0		59.00		75	40	24	10.5	SODF-SA92
	40...15	38.10		12.70		103.0	25	65.30		88	54	31	17.5	SODH-SA92
	50...15	50.80		12.70		113.0	30	71.70		100	64	35	21.5	SODI-SA92
	65...15	63.50		12.70		113.0		78.00		113	73	38	24.5	SODJ-SA92
	80...15	76.20		12.70		113.0		84.40		125	84	43	29.5	SODK-SA92
20	20...20	19.05	1.65	19.05	1.65	114	25	66.30	25	85	36	18	-	SA93-SA93
	25...20	25.40		19.05		114		69.20		88	40	24	6.0	SODF-SA93
	40...20	38.10		19.05		114		75.80		98	53	31	13.0	SODH-SA93
	50...20	50.80		19.05		124	30	82.20		111	66	37	19.0	SODI-SA93
	65...20	63.50		19.05		124		88.50		123	75	40	22.0	SODJ-SA93
	80...20	76.20		19.05		124		94.90		136	85	44	26.0	SODK-SA93
	100...20	101.60	2.11	19.05		124		107.10		161	108	54	36.0	SODL-SA93
25	25...25	25.40	1.65	25.40	1.65	124.5	25	74.8	25	95	42	26	6.0	SODF-SODF
	40...25	38.10		25.40		124.5		81.1		103	58	36	16.0	SODH-SODF
	50...25	50.80		25.40		134.5	30	87.5		120	75	44	24.0	SODI-SODF
	65...25	63.50		25.40		134.5		93.8		129	82	47	27.0	SODJ-SODF
	80...25	76.20		25.40		134.5		100.15		142	94	52	32.0	SODK-SODF
40	40...40	38.10	1.65	38.10	1.65	152.0	25	99.60	25	121	58	35	6.4	SODH-SODH
	50...40	50.80		38.10		162.0	30	101.6		131	72	43	14.4	SODI-SODH
	65...40	63.50		38.10		162.0		107.90		143	85	50	21.4	SODJ-SODH
	80...40	76.20		38.10		162.0		114.3		156	98	56	27.4	SODK-SODH
50	50...50	50.80	1.65	50.80	1.65	188.0	30	115.8	30	145	71	42	6.5	SODI-SODI
	65...50	63.50		50.80		188.0		122.10		157	85	50	14.5	SODJ-SODI
	65...65	63.50		63.50		188.0		122.10		158	86	50	14.5	SODJ-SODJ
	80...50	76.20		50.80		188.0		128.5		169	98	56	20.5	SODK-SODI
	100...65	101.60	2.11	63.50		188.0		140.7		195	120	66	30.5	SODL-SODJ

DTS 1000450589 EN Version: E Status: RL (released | freigegeben | valide) printed: 13.09.2023

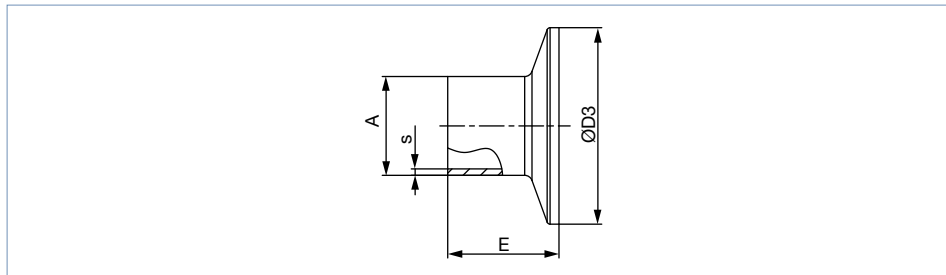
Dia-phragm size	Port 1 - Port 2 DN	ØD1	s1	ØD2	s2	A	B	C	E	F	G	H	I	Product key <sup>1.)</sup> (Port 1 - Port 2)			
<b>SMS 3008</b>																	
25	25...25	25.0	1.2	25.0	1.2	124.5	25	75.0	25	95	43	27	7.0	SA60-SA60			
	40...25	38.0		25.0		124.5		81.5		103				58	36	16.0	SA62-SA60
	50...25	51.0	25.0	134.5	30	88.0	118	72	42	22.0	SA63-SA60						
40	40...40	38.0	1.2	38.0	1.2	152.0	25	95.6	25	121	58	35	6.4	SA62-SA62			
	50...40	51.0		38.0		162.0		30		102.1				131	73	44	15.4
50	50...50	51.0	1.2	51.0	1.2	188.0	30	120.2	30	154	82	48	2.5	SA63-SA63			
<b>DIN 11850 series 0</b>																	
8	04...04	6.0	1.0	6.0	1.0	78.0	20	44.0	20	60	15	6.5	0.0	SC40-SC40			
	06...06	8.0		8.0		75.0		17.5		46.5				60	13	7	0.0
	40...04	40.0	1.5	6.0	1.5	88.0	25	60.5	25	83	51	29	19.0	SC47-SC40			
	40...8	40.0		10.0		88.0		60.5		83				51	29	19.0	SC47-SC42
	50...04	52.0		6.0		98.0		30		66.5				95	60	32	22.0
15	50...15	52.0	1.5	18.0	1.5	113.0	30	72.4	20	101	65	36	22.5	SC48-SC43			
25	25...25	28.0	1.5	28.0	1.5	124.5	25	76.2	25	95	46	29	9.0	SC45-SC45			
	50...25	52.0		28.0		134.5		30		91.2				120	71	42	22.0
40	25...32	28.0	1.5	34.0	1.5	152.0	25	90.3	25	122	58	32	3.4	SC45-SC46			
	50...32	52.0		34.0		162.0		30		102.3				132	75	45	16.4
50	50...50	52.0	1.5	52.0	1.5	188.0	30	116.5	30	147	73	43	7.5	SC48-SC48			

1.) This information is part of the product key (see "8.3. Bürkert Product Enquiry Form" on page 15)

### 4.3. T-Body with clamp connection

**Note:**

- Dimensions in mm, unless otherwise stated
- Clamp dimensions must be added to the welded connection dimensions.



Port connection		A	s	D3	E	Product key <sup>1.)</sup>
[mm]	[inch]					
<b>DIN 32676 series A (DIN pipe)</b>						
10	–	13	1.5	34.0	18	TD41
15	–	19	1.5	34.0	18	TD42
20	–	23	1.5	34.0	18	TD43
25	–	29	1.5	50.5	21.5	TD44
32	–	35	1.5	50.5	21.5	TD45
40	–	41	1.5	50.5	21.5	TD46
50	–	53	1.5	64.0	21.5	TD47
<b>DIN 32676 series B (ISO pipe)</b>						
8	–	13.5	1.6	25.0	28.6	TC40
8	–	13.5	1.6	34.0 <sup>2.)</sup>	28.6	TC51 <sup>2.)</sup>
10	–	17.2	1.6	34.0 <sup>2.)</sup>	28.6	TC41 <sup>2.)</sup>
15	–	21.3	1.6	34.0 <sup>2.)</sup>	28.6	TC42 <sup>2.)</sup>
15	–	21.3	1.6	50.5	28.6	TC52
20	–	26.9	1.6	50.5	28.6	TC43
25	–	33.7	2	50.5	28.6	TC44
32	–	42.4	2	50.5 <sup>2.)</sup>	28.6	TC45 <sup>2.)</sup>
40	–	48.3	2	64.0	28.6	TC46
50	–	60.3	2	77.5	28.6	TC47
<b>ASME BPE</b>						
8	¼"	6.35	0.89	25.0	28.6	TG50
10	⅜"	9.53	0.89	25.0	28.6	TG01
15	½"	12.7	1.65	25.0	28.6	TG02
20	¾"	19.05	1.65	25.0	28.6	TG03
25	1"	25.4	1.65	50.5	28.6	TG04
40	1½"	38.1	1.65	50.5	28.6	TG05
50	2"	50.8	1.65	64.0	28.6	TG06

1.) This information is part of the product key (see "8.3. Bürkert Product Enquiry Form" on page 15)

2.) Deviating from the standard, because of different clamp outer diameter

## 5. Performance specifications

### 5.1. Medium pressure

#### Information for control function A

**Note:**

- For low operating pressures, optional versions with reduced spring force are recommended.
- Pressure data [bar]: Overpressure to atmospheric pressure. Valve closes dynamically against max. operating pressure.
- Information for control function B and I on request.


Diaphragm size	Actuator size Ø	Pilot pressure	Max. operating pressure for seal material	
			EPDM, FKM	PTFE/EPDM, advanced PTFE/EPDM, GYLON®/EPDM laminated
DN	[mm]	[bar]	[bar]	[bar]
8	40(C)	5.0...7	10	10
15	50(D)	5.0...7	8.5	–
	63(E)	5.0...7	10	10
20	63(E)	5.5...7	10	5
	80(F)	5.0...7	10	10
25	80(F)	5.5...7	10	7.5
40	100(G)	5.5...7	6.5	6 <sup>1.)</sup>
	125(H)	5.5...7	10	10
50	125(H)	5.5...7	8	7
65	175(K)	5.0...6	8	5
80	175(K)	5.0...6	5	3 <sup>3.)</sup>
	225(L)	5.0...6	10	7 <sup>2.)</sup>
100	225(L)	5.0...6	8	4

1.) Max. operating pressure for GYLON®/EPDM laminated is 4 bar

2.) Max. operating pressure for GYLON®/EPDM laminated is 8.5 bar

3.) Tightness value only applies to GYLON®/EPDM laminated (ER diaphragm), otherwise 0 bar for PTFE/EPDM and advanced PTFE/EPDM (EA and EU diaphragm).

## 6. Product accessories

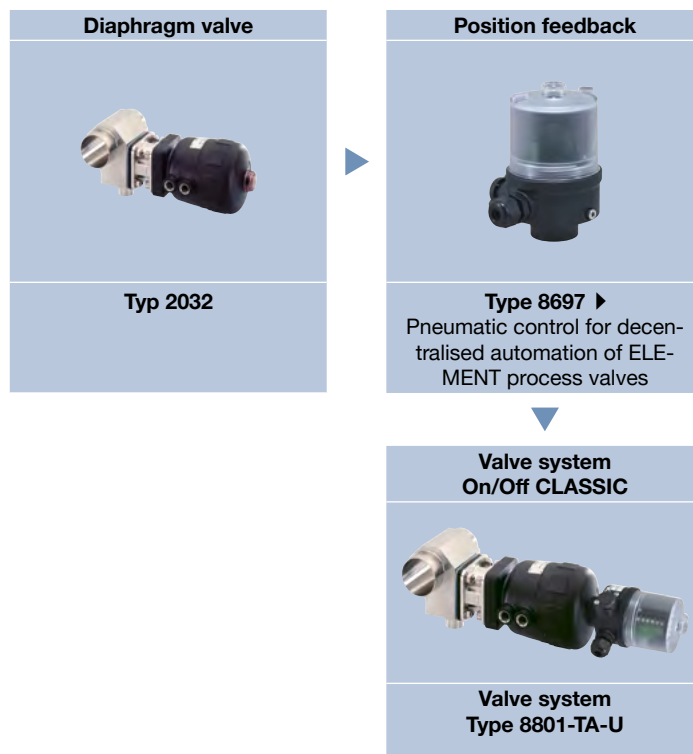
Electrical position feedback	
Type 8697 ▶ Actuator size Ø 40...225 mm	Description
	<p>The position feedback Type 8697 is designed for integrated mounting on process valves of the CLASSIC series and especially for the requirements of hygienic process environments. Mechanical or inductive limit switches detect the valve position.</p>
	<p><b>Features</b></p> <ul style="list-style-type: none"> <li>• Compact design</li> <li>• LED position indicator</li> <li>• Mechanical or inductive limit switches for end position registering</li> <li>• Easy to clean chemically resistant housing featuring IP65/IP67, 4X Rating</li> <li>• Optional intrinsically safe version acc. to ATEX/IECEx</li> </ul>
	<p><b>Customer benefits</b></p> <ul style="list-style-type: none"> <li>• Easy and quick installation</li> <li>• High level of signal reliability thanks to self adjusting limit switches</li> <li>• Minimised space requirement in the plant piping for more flexibility in plant design</li> </ul>

## 7. Networking and combination with other Bürkert products

The **On/Off CLASSIC valve system, Type 8801-TA**, consists of **diaphragm valve, Type 2032**, and **position feedback, Type 8697**.

**Note:**

- You order two components and receive a completely assembled and tested valve.



DTS 1000450589 EN Version: E Status: RL (released | freigegeben | valide) printed: 13.09.2023

## 8. Ordering information

### 8.1. Bürkert eShop – Easy ordering and quick delivery



#### Bürkert eShop – Easy ordering and fast delivery

You want to find your desired Bürkert product or spare part quickly and order directly? Our online shop is available for you 24/7. Sign up and enjoy all the benefits.

[Order online now](#)

### 8.2. Bürkert product filter



#### Bürkert product filter – Get quickly to the right product

You want to select products comfortably based on your technical requirements? Use the Bürkert product filter and find suitable articles for your application quickly and easily.

[Try out our product filter](#)

### 8.3. Bürkert Product Enquiry Form

#### Note:

Please see our Product Enquiry Form for a full explanation of our specification key.



#### Bürkert Product Enquiry Form – Your enquiry quickly and compactly

Would you like to make a specific product enquiry based on your technical requirements? Use our Product Enquiry Form for this purpose. There you will find all the relevant information for your Bürkert contact. This will enable us to provide you with the best possible advice.

[Fill out the form now](#)



# Bürkert – Close to You

For up-to-date addresses  
please visit us at  
[www.burkert.com](http://www.burkert.com)

DTS 1000450589 EN Version: E Status: RL (released | freigegeben | validé) printed: 13.09.2023

Austria  
Belgium  
Czech Republic  
Denmark  
Finland  
France  
Germany  
Italy  
Netherlands

Norway  
Poland  
Spain  
Sweden  
Switzerland  
Turkey  
United Kingdom

