



Direct-acting 2/2 way plunger valve

- Gas valve with DVGW approval acc. to EN 161, Group B
- Compact design
- Up to DN25 and 150 mbar
- Body in brass
- Dirt filter in the inlet



Product variants described in the data sheet may differ from the product presentation and description.

Type description

Type 293 switches without pressure difference from zero bar. The valve is especially good for switching low-pressure combustible gases. The direct-acting solenoid valve is delivered with circuit function A. It is normally closed. Upon switching, the magnetic core is tightened against the spring and the valve opens. A filter is built-in to the inlet. A dirt trap $\leq 500 \mu\text{m}$ (example our type TFU001) needs to be installed before the valve when using DN 25. This dirt trap needs to be accessible for maintenance.

Table of contents

1. General technical data	3
2. Circuit functions	3
3. Dimensions	3
4. Ordering information	4
4.1. Bürkert eShop – Easy ordering and quick delivery.....	4
4.2. Bürkert product filter.....	4
4.3. Ordering chart.....	5
4.4. Ordering chart accessories.....	5
Strainer.....	5

DTS 1000204244 EN Version: E Status: RL (released | freigegeben | valide) printed: 05.04.2019

1. General technical data

Product properties	
Materials	
Body material	Brass
Inner part valve	Stainless steel
Seal material	NBR
Duty cycle	100 % continuous rating
Flow rate: K_v value water	Measured at +20 °C, 1 bar pressure at valve inlet and free outlet (flow rate values see table below)
Pressure values	Overpressure with respect to atmospheric pressure (pressure values see table below)
Switching times	
Measured at valve outlet at 150 mbar and +20 °C (switching times see table below)	
Opening	Pressure rise 0...90 %
Closing	Pressure relief 100...10 %
Special features	Sieve in inlet, for DN25 it is necessary to install a dirt filter, (max. 500 µm) upstream of the valve, which is accessible during maintenance work, e.g. Type TFU001
Electrical data	
Operating voltages	230 V/50 Hz / 230 V/UC
Voltage tolerance	± 10 %
Medium data	
Medium (for NBR)	Fuel gases of the 1st, 2nd and 3rd gas families
Medium temperature (for NBR)	- 15 °C...+60 °C
Approvals and Certificates	
DVGW	Group 2, class B
Fulfilled standards	DIN EN 161
Protection class	IP65 with cable plug acc. DIN EN 175301 - 803
Product connections	
Orifice	DN20...DN25 mm
Port connection	Threaded ports G 3/4 and G 1
Electrical connection	Cable plug for Ø 7 mm cable (included in delivery)
Environment and installation	
Ambient temperature	- 15 °C...+60 °C
Ambient	Also open air (open cover recommended)
Installation	As required, preferably with actuator upright
Accessories	
Strainer	Brass body Detailed information can be found in chapter "4.4. Ordering chart accessories" on page 5.

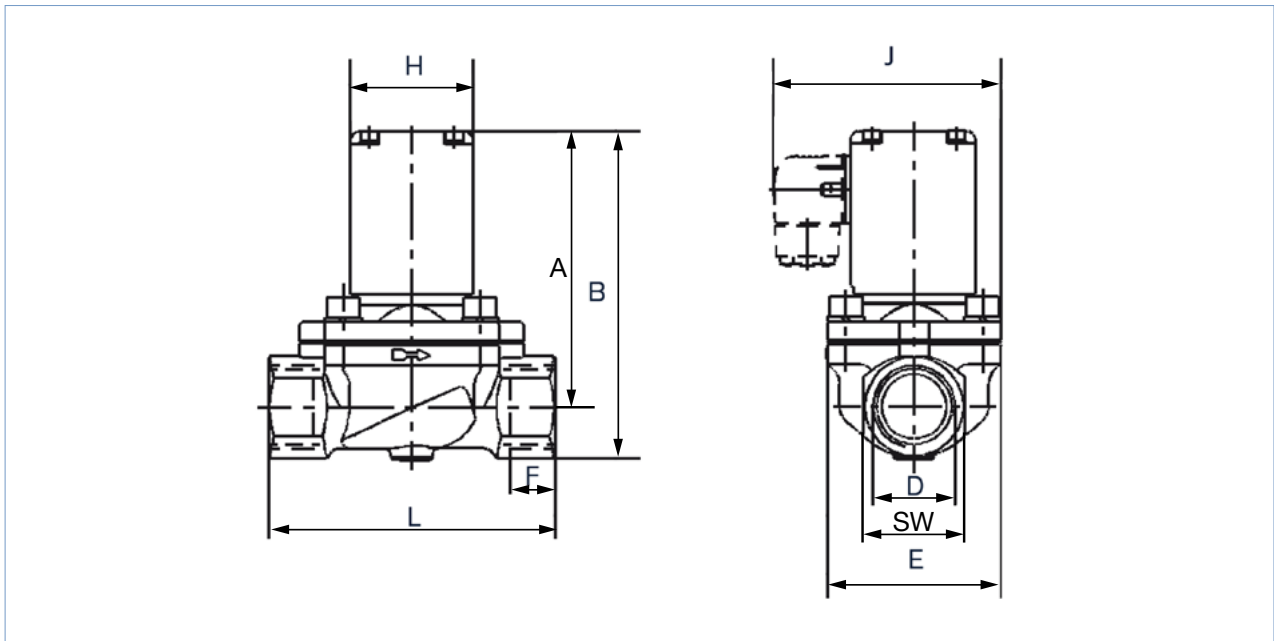
Orifice [mm]	Port connection	K_v value water [m³/h]	Pressure range [mbar]	Response times ^{1.)}		Closing				Weight [kg]
				Opening [ms]	Closing [ms]	Inrush		Hold		
						AC [VA]	UC [W]	AC [VA/W]	UC [W]	
20	G 3/4	5.0	0...150	130...250	120...150	100-120	100	25/16	9	1.3
25	G 1	10.0	0...150	130...250	120...150	100-120	100	25/16	9	1.7

1.) With UC coil, depending on duty cycle and ambient temperature max. 15 switchings/min.

2. Circuit functions

Circuit Function	Description
	Type: A, solenoid valve 2/2 way Direct-acting Normally closed


3. Dimensions



DN	D	A	B	E	F	H	J	L	SW
20	G 3/4	106	122	60	16	49	86.5	100	32
25	G 1	110.5	131	70	18	49	91.5	115	41

4. Ordering information

4.1. Bürkert eShop – Easy ordering and quick delivery

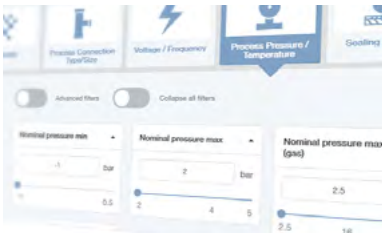


Bürkert eShop – Easy ordering and fast delivery

You want to find your desired Bürkert product or spare part quickly and order directly? Our online shop is available for you 24/7. Sign up and enjoy all the benefits.

[Order online now](#)

4.2. Bürkert product filter



Bürkert product filter – Get quickly to the right product

You want to select products comfortably based on your technical requirements? Use the Bürkert product filter and find suitable articles for your application quickly and easily.

[Try out our product filter](#)

4.3. Ordering chart

Note:

- Further versions are available on request.
- All valves listed below are valves with brass body and cable plug.

Circuit function	Orifice	Port connection	K _v value water	Q _{Nn} value air	Pressure range	Remarks	Seal material	Voltage/frequency	Weight	Article no.
	[mm]		[m ³ /h]	[l/min]				[V/Hz]	[kg]	
A	20.0	G ¾	5.0	5400	0...150	–	NBR	230/50	230/50	279478
A	20.0	G ¾	5.0	5400	0...150	noise reduced	NBR	230/UC ^{1.)}	230/UC ^{1.)}	279479
A	25.0	G 1	10.0	10800	0...150	–	NBR	230/50	230/50	256321
A	25.0	G 1	10.0	10800	0...150	noise reduced	NBR	230/UC ^{1.)}	–	279480

1.) Electric versions (UC) with integrated rectifier

4.4. Ordering chart accessories

Strainer
Note:

The dirt trap prevents malfunctions and extends the service life of downstream valves.

See [data sheet Type TFU001](#) ▶.

Port connection	Orifice	Sieve	K _v Flow range	Pressure level PN	Article no.
	[mm]	[µm]	[m ³ /h]	[bar]	
G ¾	20.0	400	7.85	20	783673
G 1	25.0	400	11.08	20	783674

Bürkert – Close to You

For up-to-date addresses
please visit us at
www.burkert.com

DTS 1000204244 EN Version: E Status: RL (released | freigegeben | validé) printed: 05.04.2019

Austria
Belgium
Czech Republic
Denmark
Finland
France
Germany
Italy
Netherlands

Norway
Poland
Portugal
Spain
Sweden
Switzerland
Turkey
United Kingdom

Russia

Canada
USA

Argentina
Brazil
Uruguay

South Africa

United
Arab
Emirates

Australia
New Zealand

China
Hong Kong
India
Japan
Korea
Malaysia
Philippines
Singapore
Taiwan