



2/2 way solenoid valve for neutral media

- Compact distribution block solution, 2- to 8-fold, stackable
- Durable plastic housing with robust brass connector
- Supplied ready for installation for fast commissioning
- Optionally with energy-saving Kick and Drop coil
- Ex versions available on request



Product variants described in the data sheet may differ from the product presentation and description.

Type description

Type 0287 is a servo-controlled 2/2 way valve. The modular valve is available as a distributor or collector version in DN 13. It is suitable for neutral media such as compressed air or water.

Table of contents

1. General technical data	3
2. Circuit functions	3
3. Approvals	3
4. Materials	4
4.1. Chemical Resistance Chart – Bürkert resistApp.....	4
4.2. Material specifications	4
Standard version collector	4
Standard version distributor	4
5. Dimensions	5
5.1. Standard version.....	5
6. Performance specifications	5
6.1. Power consumption	5
7. Ordering information	6
7.1. Bürkert eShop – Easy ordering and quick delivery.....	6
7.2. Bürkert product filter	6
7.3. Ordering chart.....	6
Standard version distributor	6
7.4. Ordering chart accessories.....	7
Cable plug Type 2518, form A according to DIN EN 175301 - 803	7

1. General technical data

Product properties	
Dimensions	Detailed information can be found in chapter “5. Dimensions” on page 5.
Material	
Connection	Brass
Cover	PPE/PA
Seal	FKM
Body	PPE/PA
Valve inner parts	Stainless steel, brass
Orifice	DN 13
Switching function	A Detailed information can be found in chapter “2. Circuit functions” on page 3.
Thermal insulation class of solenoid	Polyamide class B
Performance data	
Nominal operating mode	Continuous operation 100 % ED
Switching time ^{1.)}	0.1...0.5 seconds (depending on differential pressure)
Electrical data	
Operating voltage	024/DC, 024 V/56 Hz, 230 V/56 Hz
Voltage tolerance	± 10 %
Medium data	
Operating medium	Neutral medium, e.g. compressed air, water
Medium temperature	0 °C...+ 70 °C
Process/Port connection & communication	
Electrical connection	Tag connector according to DIN EN 175301 - 803 form A for cable plug Type 2518 (see “7.4. Ordering chart accessories” on page 7)
Approvals and certificates	
Directive	CE, EAC
Environment and installation	
Installation position	As required, preferably with actuator upright
Degree of protection	IP65 with cable plug, cable connection and terminal box
Ambient temperature (max.)	+55 °C

1.) Measurement at the valve outlet at 6 bar and +20 °C. Opening: pressure build-up 0...90 %, closing: pressure reduction 100...10 %.

2. Circuit functions

Note:

WWB, normally open on request

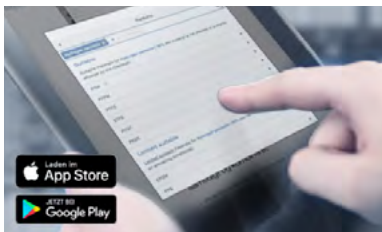
Circuit functions	Description
	Type: A, solenoid valve 2/2 way Servo-controlled Normally closed

3. Approvals

Approvals	Description
	Coil cURus, variable code PU09

4. Materials

4.1. Chemical Resistance Chart – Bürkert resistApp



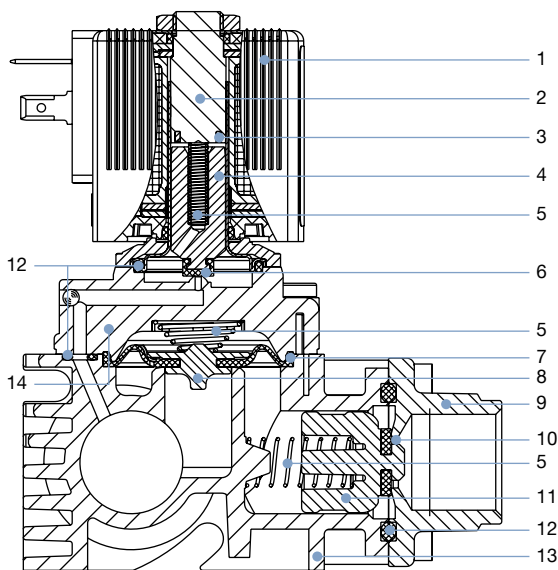
Bürkert resistApp – Chemical Resistance Chart

You want to ensure the reliability and durability of the materials in your individual application case? Verify your combination of media and materials on our website or in our resistApp.

[Start Chemical Resistance Check](#)

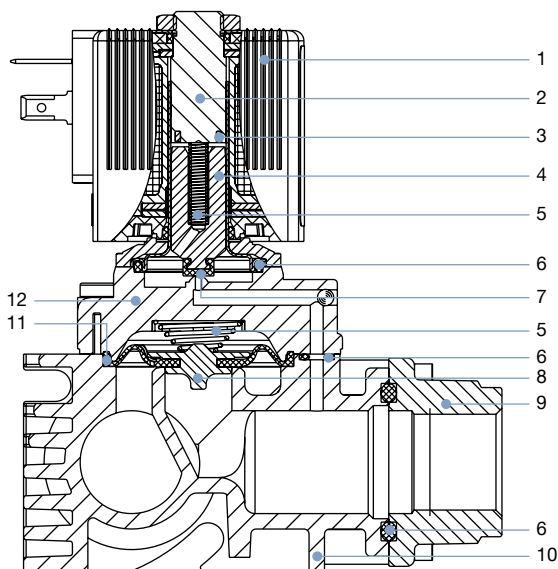
4.2. Material specifications

Standard version collector



No.	Element	Material
1	Coil	Polyamide, optional epoxy
2	Stopper	1.4105
3	Short circuit ring	Copper
4	Magnetic core	1.4105
5	Spring	1.4310
6	Core seal	FKM
7	Diaphragm	FKM
8	Diaphragm holder	Brass
9	Connection	Brass
10	Seal	FKM
11	Routing	PPE/PA
12	O-ring	FKM
13	Body	PPE/PA
14	Cover	PPE/PA

Standard version distributor



No.	Element	Material
1	Coil	Polyamide, optional epoxy
2	Stopper	1.4105
3	Short circuit ring	Copper
4	Magnetic core	1.4105
5	Spring	1.4310
6	O-ring	FKM
7	Core seal	FKM
8	Diaphragm holder	Brass
9	Connection	Brass
10	Body	PPE/PA
11	Diaphragm	FKM
12	Cover	PPE/PA

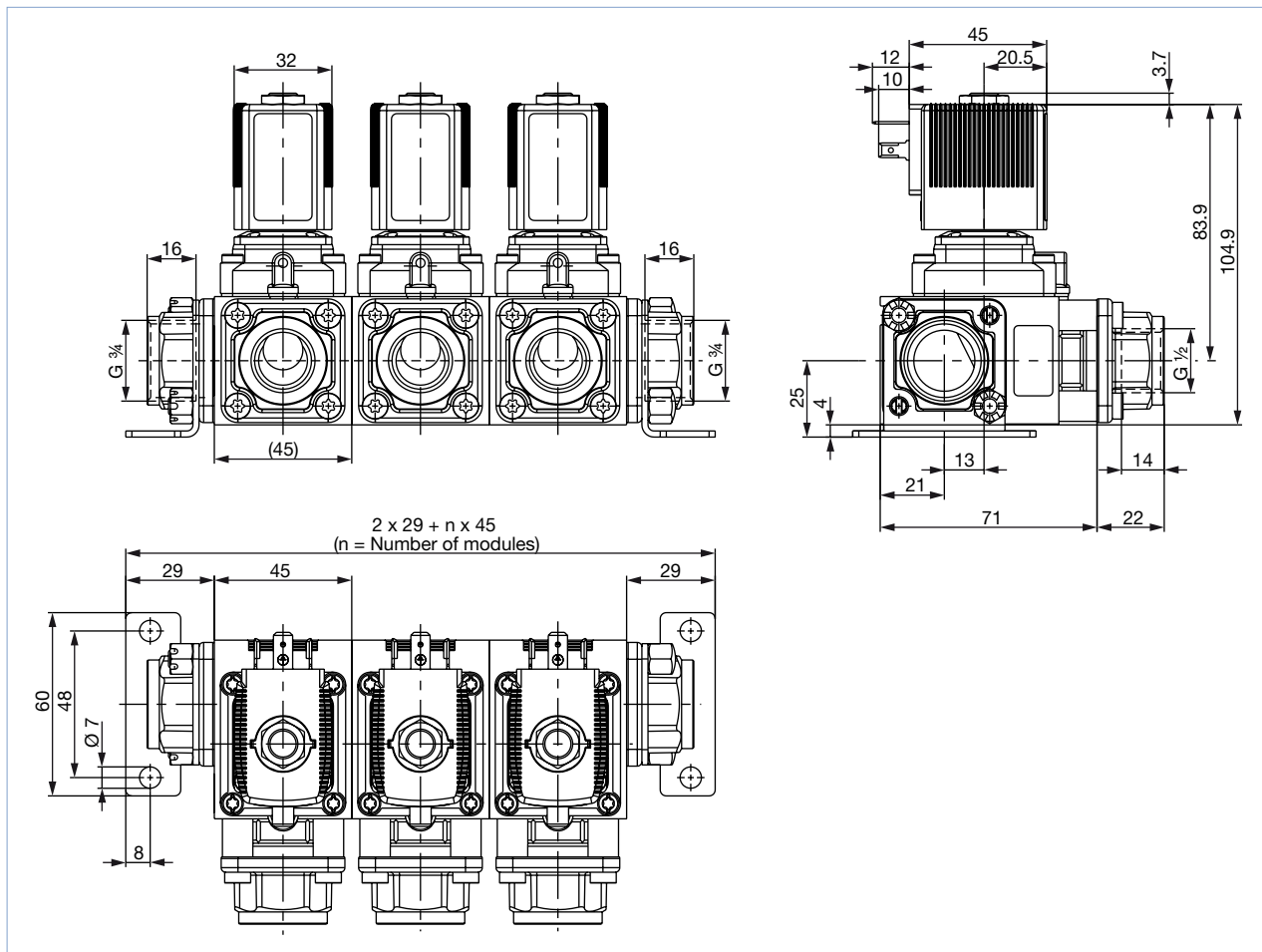
DTS 1000551788 EN Version: - Status: RL (released | freigegeben | validé) printed: 04.01.2023

5. Dimensions

5.1. Standard version

Note:

Dimensions in mm




6. Performance specifications

6.1. Power consumption

Orifice [mm]	Circuit function	Coil size [mm]	AC			DC	
			Starting power [VA]	Holding power [VA]	[W]	Cold power [W]	Warm power [W]
13	WWA	32	16	9.5	5	6	5

7. Ordering information

7.1. Bürkert eShop – Easy ordering and quick delivery




Bürkert eShop – Easy ordering and quick delivery

You want to find your desired Bürkert product or spare part quickly and order directly? Our online shop is available for you 24/7. Sign up and enjoy all the benefits.

[Order online now](#)

7.2. Bürkert product filter



Bürkert product filter – Get quickly to the right product

You want to select products comfortably based on your technical requirements? Use the Bürkert product filter and find suitable articles for your application quickly and easily.

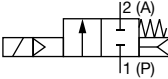
[Try out our product filter](#)

7.3. Ordering chart

Standard version distributor

Note:

- Collector versions on request
- The blocks are supplied with the standard cable plug Type 2518, mounting brackets and a 3/4" sealing plug.
- For further cable plugs see [“7.4. Ordering chart accessories”](#) on page 7 or separate data sheet **Type 2518** ▶

Circuit function	Port connection	Orifice [mm]	K _v value water [m³/h]	Pres- sure range [bar]	Number of valves per block	Weight [kg]	Article no.		
							024/DC [V/Hz]	024/50...60 [V/Hz]	230/50...60 [V/Hz]
Distributor function, seal material FKM, polyamide coil, medium temperature 0...+70 °C									
A, solenoid valve 2/2 way Servo-controlled Normally closed 	G 1/2	13	3.0	0.5...10	2	1.3	20040758	20040763	20040767
					3	1.7	20040760	20040764	20040768
					4	2.2	20040761	20040765	20040769
					5	2.7	20040762	20040766	20040770

DTS 1000551788 EN Version: - Status: RL (released | freigegeben | validé) printed: 04.01.2023

Further versions on request			
	Material Cover: PPE/PA Seal: EPDM/FKM		Voltage Further voltages
	Process connection G ¼, G ⅜ External thread G ½, G ¾		Approval Coil: UL recognized for USA and Canada (Var. Code PU09)

7.4. Ordering chart accessories

Cable plug Type 2518, form A according to DIN EN 175301 - 803

Note:

For further versions see data sheet [Type 2518](#) ▶

Cable plug	Dimensions	Version	Voltage	Article no.
		Without circuitry (AC/DC)	0...250 V AC/DC	314802
		With LED (AC/DC)	12...24 V AC/DC	314812
		With LED and varistor (AC/DC)	12...24 V AC/DC	314820
		With rectifier, LED and varistor	12...24 V AC/DC	314816

DTS 1000551788 EN Version: - Status: RL (released | freigegeben | validé) printed: 04.01.2023

Bürkert – Close to You

For up-to-date addresses
please visit us at
www.burkert.com

DTS 1000551788 EN Version: - Status: RL (released | freigegeben | validé) printed: 04.01.2023

