



PVDF+CF



TECHNICAL DATA

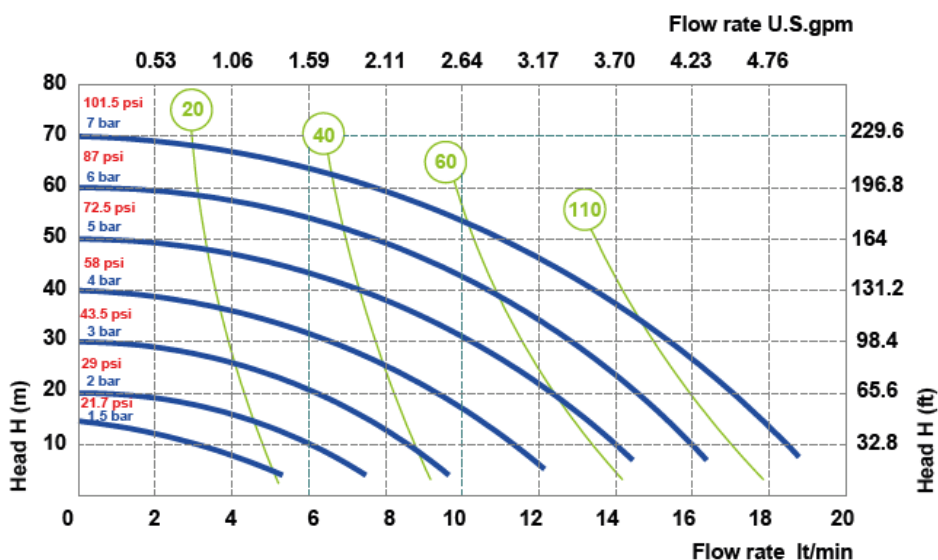
Fluid connections	3/8" BSP
Air connection	6 mm
Max. Flow rate	20 lt/min
Max air pressure	7 bar
Max delivery head	70 m
Max Suction Lift Dry	5 m
Max Suction Lift Wet	9,8 m
Max Solid passing	2,5 mm
Noise level:	65 dB
Max Viscosity:	10.000 cps
Displacement per Stroke:	30 CC ~

Ex II 2/2 GD c IIB T 135°C

Displacement per stroke may vary based on suction condition, discharge head, air pressure and fluid type.

WEIGHT	TEMPERATURE	
1,6 KG	-20°C	+95°C

PERFORMANCE



- Air supply pressure
- Air consumption Nit/min

The curves and performance values refer to pumps with submerged suction and free delivery outlet, with water at 20°C. These data may vary according to the construction materials and hydraulic conditions.



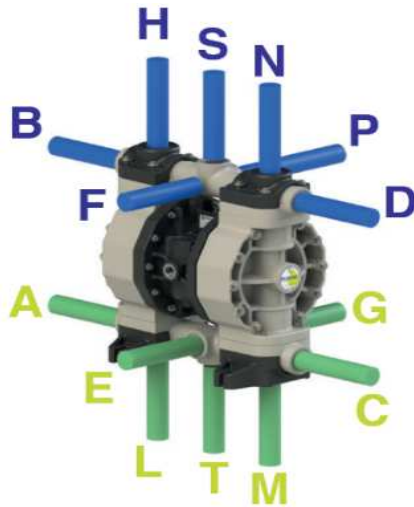
FLUIMAC S.r.l. - Via Ticino 2/4 - 21043 - Castiglione Olona - VA - ITALY
info@fluimac.com - www.fluimac.com
 tel. +39 0331 866688 - Fax +39 0331 864870
 P.I./VAT 03259160129





COMPOSITION

MODEL	CASING	DIAPHRAGM	BALLS	SEATS	GASKET	CONNECTIONS	ATEX	PORTS
PO018	KC = PVDF+CF	HT = HYTREL+PTFE MT = SANTOPRENE+PTFE H = HYTREL M = SANTOPRENE	T = PTFE S = SS	K = PVDF	D = EPDM V = VITON N = NBR T = PTFE	I = BSP S = NPT	X = ZONE I	AB = STANDARD



AVAILABLE CONNECTIONS

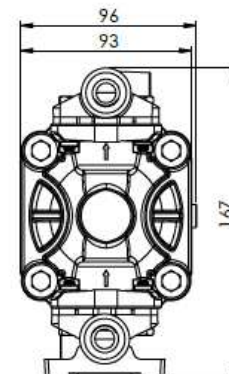
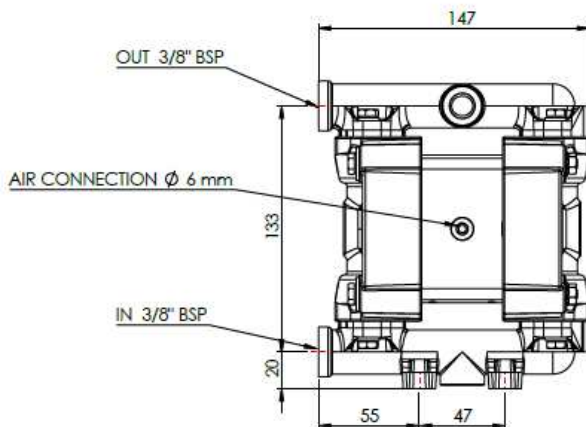
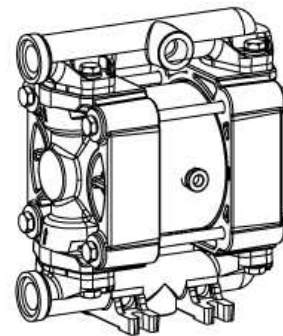
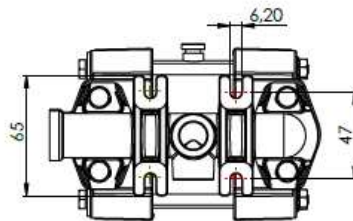
DELIVERY: B-D-F-P-S

SUCTION: A-C-E-G-T

PACKING DIMENSION

CARTON BOX: 24 x 21 x 12 cm

DIMENSIONS



Technical data are approximate and not binding for the manufacturer who reserves the right to change them without notice at any time.



FLUIMAC S.r.l. - Via Ticino 2/4 - 21043 - Castiglione Olona - VA - ITALY
info@fluimac.com - www.fluimac.com
 tel. +39 0331 866688 - Fax +39 0331 864870
 P.I./VAT 03259160129

