



PROCESS FLOAT STEAM TRAP

MODEL JL9X/JLH9X CAST IRON/CAST STEEL

HIGH-CAPACITY IRON OR STEEL FLOAT STEAM TRAP WITH THERMOSTATIC AIR VENTING

Features

Extremely durable, inline-repairable, compact float trap with thermostatic air venting for large process or heating equipment.

1. Double-seated valve with heat-treat hardened valve seat and valve head provides continuous, smooth, low-velocity condensate discharge as process loads vary.
2. Self-aligning valve mechanism with stainless steel internals minimizes wear.
3. Thermostatic capsule (X-element) with "fail open" feature vents air automatically until close-to-steam temperature.
4. Easy, inline access to internal parts simplifies cleaning and reduces maintenance costs.
5. High-quality stainless steel internals and hardened valve surfaces ensure reliability.



Specifications

Model	JL9X	JLH9X	
Connection	Screwed, Flanged*	Screwed, Socket Welded, Flanged	
Size / DN	2" / 50		
Orifice No.	10, 13	10, 18	32
Maximum Operating Pressure (barg) PMO	10, 13	10, 18	32
Maximum Differential Pressure (bar) Δ PMX	10, 13	10, 18	32
Maximum Operating Temperature (°C) TMO	200	220	240

* JL9X has a screwed-in flange.

1 bar = 0.1 MPa

PRESSURE SHELL DESIGN CONDITIONS (NOT OPERATING CONDITIONS):

Maximum Allowable Pressure (barg) PMA: 13 (JL9X), 32 (JLH9X)

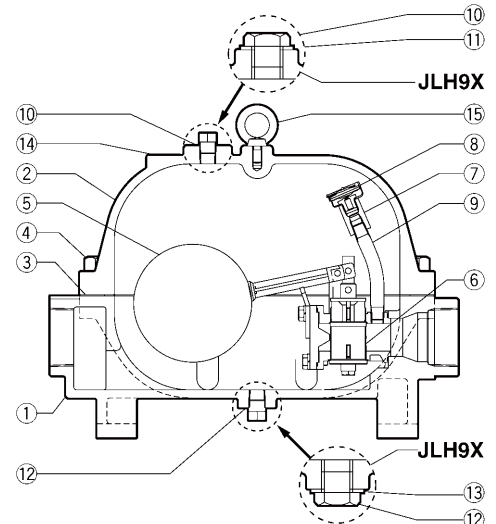
Maximum Allowable Temperature (°C) TMA: 200 (JL9X), 400 (JLH9X)



To avoid abnormal operation, accidents or serious injury, DO NOT use this product outside of the specification range. Local regulations may restrict the use of this product to below the conditions quoted.

No.	Description	Material	DIN	ASTM/AISI*
①	Body	JL9X Cast Iron FC250	0.6025	A126 Cl.B
		JLH9X Cast Steel A216 Gr.WCB	1.0619	—
②	Cover	JL9X Cast Iron FC250	0.6025	A126 Cl.B
		JLH9X Cast Steel A216 Gr.WCB	1.0619	—
③	Cover Gasket	Graphite/ Stainless Steel SUS316L	—/1.4404	—/AISI316L
④	Cover Bolt	JL9X Carbon Steel S45C	1.0503	AISI1045
		JLH9X Alloy Steel SNB7	1.7225	A193 Gr.B7
⑤	Float / Lever	Stainless Steel SUS316L/ Cast Stainless Steel A351 Gr.CF8	1.4404/1.4312	AISI316L/ —
⑥	Main Valve Unit	Cast Stainless Steel A351 Gr.CF8/ SCS2A	1.4312/1.4027	—/ A743 Gr.CA40
⑦	Connector	Stainless Steel SUS304	1.4301	AISI304
⑧	X-element Unit	Stainless Steel SUS304/420F	1.4301/1.4028	AISI304/420F
⑨	Air Vent Pipe	Stainless Steel SUS304	1.4301	AISI304
⑩	Cover Plug	JL9X Carbon Steel SS400	1.0037	A6
		JLH9X Carbon Steel S25C	1.1158	AISI1025
⑪	Cover Plug Gasket (JLH9X)	Soft Iron SUYP	1.1121	AISI1010
⑫	Drain Plug	JL9X Carbon Steel SS400	1.0037	A6
		JLH9X Carbon Steel S25C	1.1158	AISI1025
⑬	Drain Plug Gasket (JLH9X)	Soft Iron SUYP	1.1121	AISI1010
⑭	Nameplate	Stainless Steel SUS304	1.4301	AISI304
⑮	Eye Bolt	Carbon Steel SS400	1.0037	A307 Gr.B
⑯	Flange**	Carbon Steel C22.8	1.0460	A105

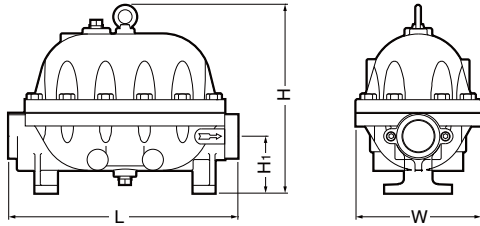
* Equivalent materials ** Shown on reverse



Copyright © TLV

Dimensions

● **JL9X/JLH9X** Screwed



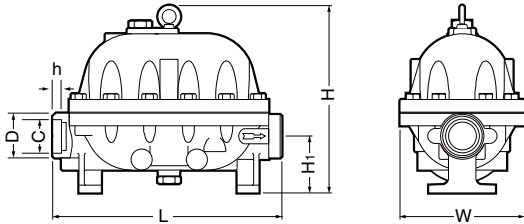
JL9X shown. Cover plug and drain plug on the JLH9X differ slightly.

JL9X/JLH9X Screwed* (mm)

Model	Size	L	H	H ₁	W	Weight (kg)
JL9X	2"	414	338	102	225	34
JLH9X	2"	414	338	102	225	36

* BSP DIN 2999, other standards available

● **JLH9X** Socket Welded

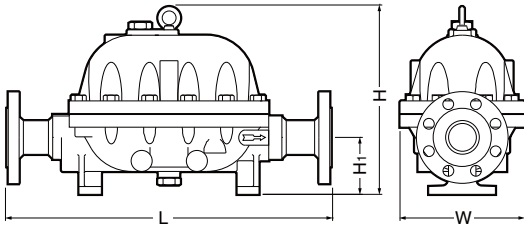


JLH9X Socket Welded* (mm)

Model	DN	L	H	H ₁	W	φD	φC	h	Weight (kg)
JLH9X	50	414	338	102	225	78	61.2	16	36

* ASME B16.11-2005, other standards available

● **JL9X/JLH9X** Flanged



JLH9X shown. Cover plug and drain plug on the JL9X differ slightly.

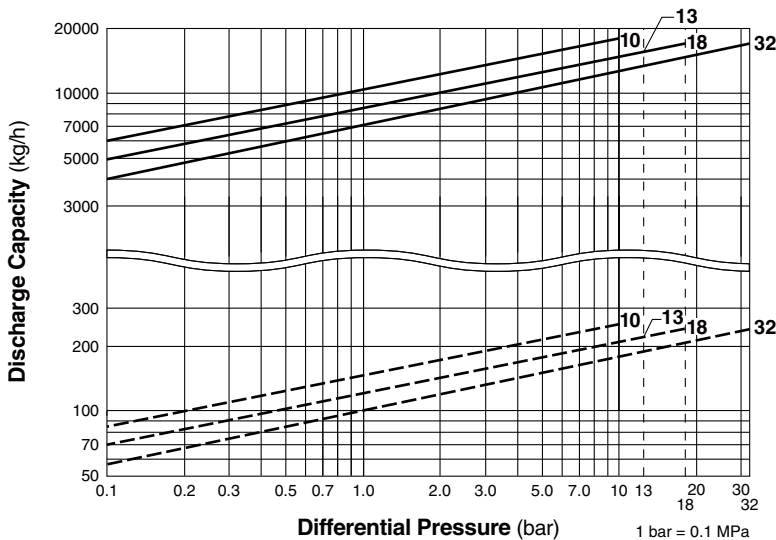
JL9X*/JLH9X Flanged (mm)

Model	DN	L					H	H ₁	W	Weight (kg)
		DIN 2501		ASME Class						
		PN16	PN25/40	150RF	300RF	600RF				
JL9X	50	584	—	584	584	—	338	102	225	42
JLH9X	50	—	584	584	584	584	338	102	225	44

Other standards available, but length and weight may vary

* JL9X has a screwed-in flange

Discharge Capacity



———— : Maximum capacity of JL9X/JLH9X.
 - - - - : Minimum amount of condensate required to prevent steam leakage.

1. Line numbers within the graph refer to orifice numbers.
2. Differential pressure is the difference between the inlet and outlet pressure of the trap.
3. Capacities are based on continuous discharge of condensate 6°C below steam temperature.
4. Recommended safety factor: 1.5.



DO NOT use traps under conditions that exceed maximum differential pressure, as condensate backup will occur!

Manufacturer

ISO 9001/ISO 14001



is approved by LRQA Ltd. to ISO 9001/14001

