



ELECTROMAGNETIC FLOWMETER

(MOD. SA 20 MAG)

Electromagnetic flow meter



This instrument has been designed to measure the instantaneous and total flow of fluids.

The SABA electromagnetic flowmeter is a volumetric flowmeter that has no moving parts, particularly suitable for use with any type of conductive liquid, both for small flow rates and large flow rates. The operation of a magnetic flowmeter is based on Faraday's law, which states that the voltage induced through any conductor that moves perpendicularly through a magnetic field is proportional to the speed of the conductor.

TECHNICAL FEATURES:

MEASUREMENT TUBE:

Body and connections: in stainless steel

Process connections: DIN, CLAMP, SMS

Measuring tube: in AISI 316 stainless steel

Internal coating: teflon

Electrodes: in AISI 316

Electronics housing: painted aluminum

Degree of protection of the pipe: IP 65

Materials in contact with the fluid: conductive liquids min 5 micron / cm

DISPLAY:

Backlit graphic LCD

Keyboard

External case: in painted aluminum

Measuring range: depending on the diameter

Output signal: ART, MOD BUS, GPRS, PROFIBUS, 4-20mA, pulses

Operating temperature: up to 180 ° C

Working pressure: up to 16 bar

Operating voltage: 24 V DC

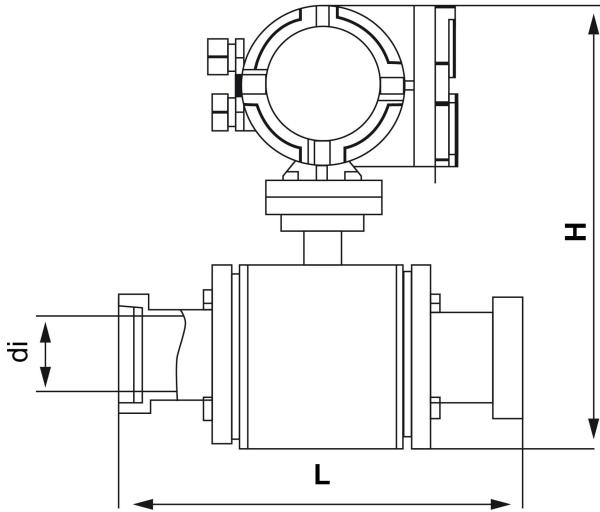
Accuracy: 0.5%



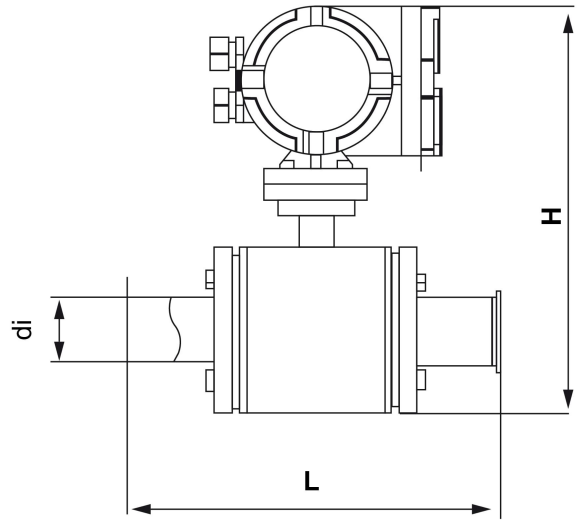
Repeatability: + - 0.1 VL

Frequency: 50 - 60 Hz

Power supply: 24 V



DIN



CLAMP

Tabella quote

Le quote sono indicative

L in mm	H in mm
200	280
200	280
200	280
200	280
250	280

Tabella portate

DN in mm	PORTATA da l/h range from	A to
25	600	12.000
40	1.800	36.000
50	3.000	60.000
65	6.000	120.000
80	9.000	180.000

Certificates:

Certification of materials

Pressure gauge calibration certificate (list of measured single values; 5 measurement points)

Order information:

Flow rate/Process connection/Pipe size/Parts/Product specific weight/Certificates