

# P 20



## TECHNICAL DATA

Fluid connections	<b>3/8" BSP</b>
Air connection	<b>1/4" BSP</b>
Max. flow rate	<b>20 lt/min</b>
Max air pressure	<b>7 bar</b>
Max delivery head	<b>70 m</b>
Max suction lift dry	<b>5 m</b>
Max suction lift wet	<b>9,8 m</b>
Max solid passing	<b>2,5 mm</b>
Noise level	<b>65 dB</b>
Max viscosity	<b>10.000 cps</b>
Displacement per stroke	<b>30 CC ~</b>

II 2/2 G Ex h IIC T4 Gb

II 2 D Ex H IIIB T135°C Db X

Displacement per stroke may vary based on suction condition, discharge head, air pressure and fluid type.

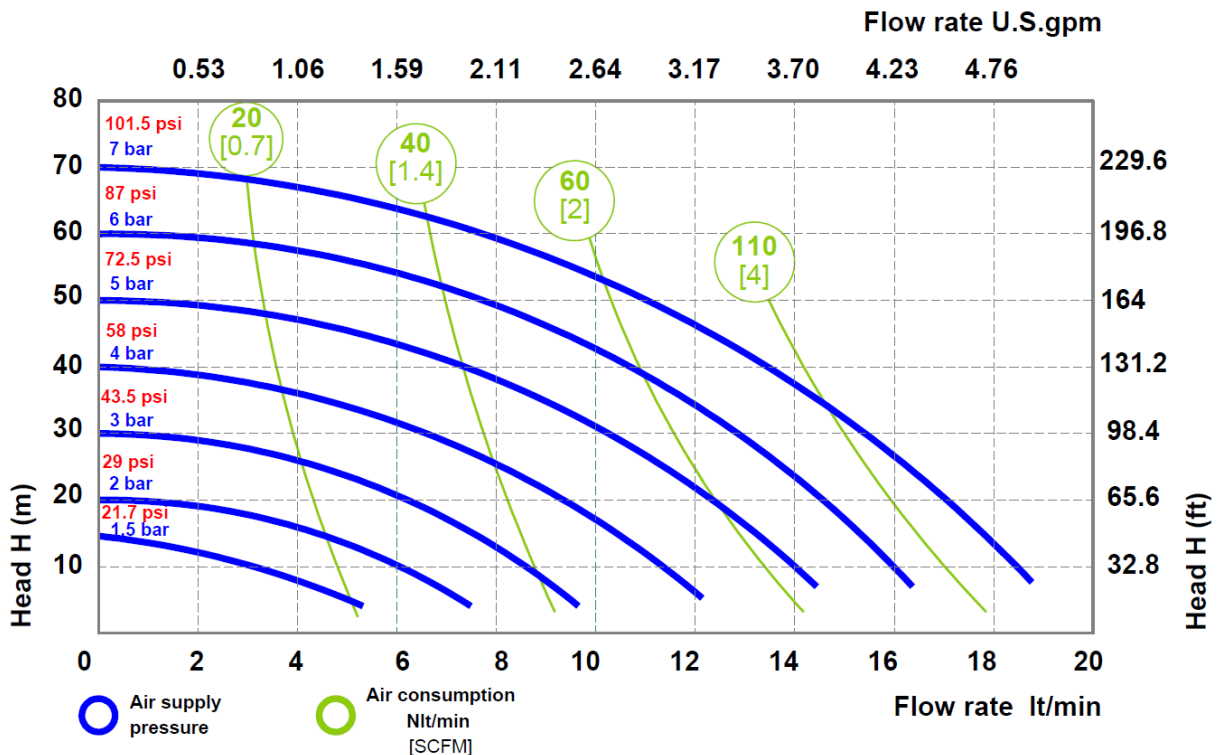
**POLYPROPYLENE+CF**



WEIGHT	TEMPERATURE	
<b>1,3 KG</b>	<b>-4°C</b>	<b>+65°C</b>

## PERFORMANCE

The curves and performance values refer to pumps with submerged suction and free delivery outlet, with water at 20 °C. These data may vary according to the construction materials and hydraulic conditions.



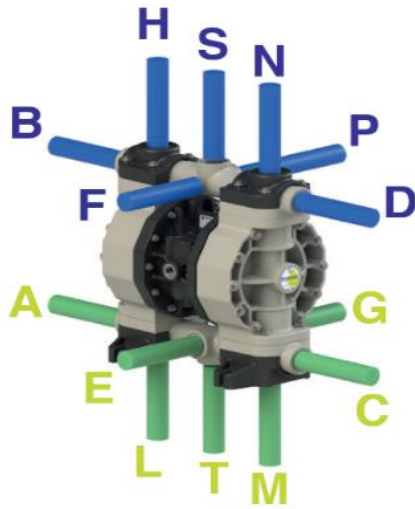
FLUIMAC S.r.l. - Via Breascia, 1 - 21049 - Tradate - VA - ITALY  
 info@fluimac.com - www.fluimac.com  
 tel. +39 0331 866688 - Fax +39 0331 864870  
 P.I./VAT 03259160129





## COMPOSITION

MODEL	CASING	DIAPHRAGM	BALLS	SEATS	GASKET	CONNECTIONS	ATEX	PORTS
P0020	PC = PP+CF	HT = HYTREL+PTFE MT = SANTOPRENE+PTFE H = HYTREL M = SANTOPRENE	T = PTFE S = SS	P = PP	D = EPDM V = VITON N = NBR T = PTFE	I = BSP S = NPT	X = ZONE I	AB = STANDARD



## AVAILABLE CONNECTIONS

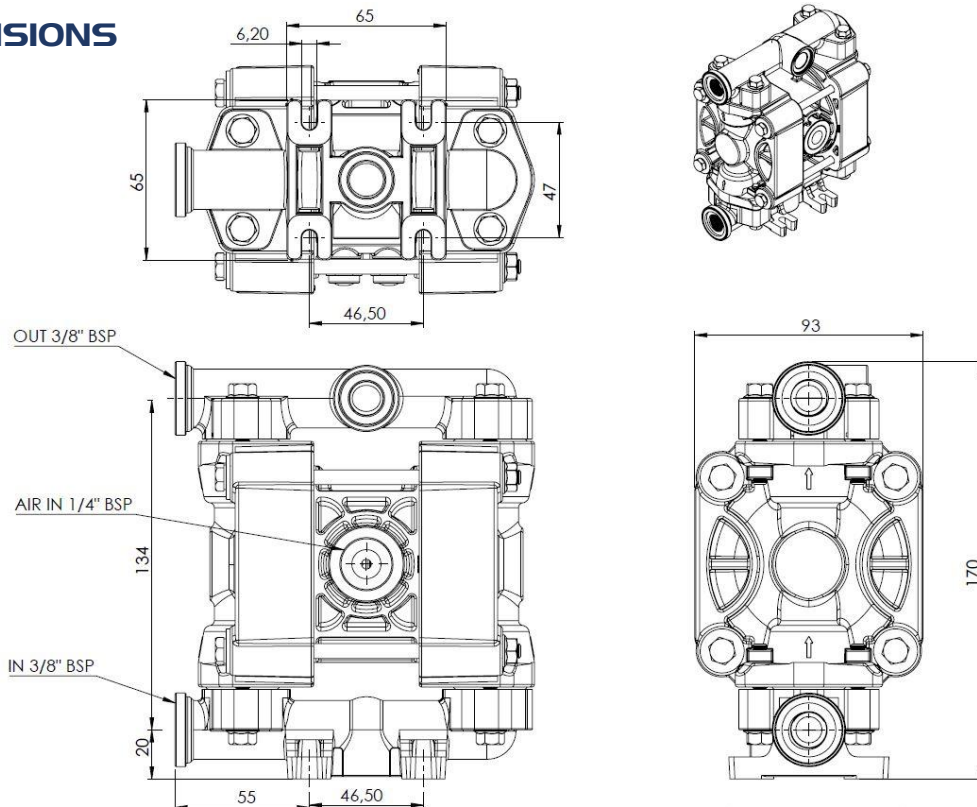
**DELIVERY: B-D-F-P-S**

**SUCTION: A-C-E-G-T**

## PACKING DIMENSION

**CARTON BOX: 24 x 21 x 12 cm**

## DIMENSIONS



Technical data are approximate and not binding for the manufacturer who reserves the right to change them without notice at any time.